

Mobile Shotcrete manipulator system CL08

for mining, tunnels
and excavation jobs

CLEVER & CO
Shotcrete Technology
Elektro- und
Maschinenfabrik
GmbH



- Broad spraying range
- Highest safety standards
- Saves labor and increases productivity

SBS



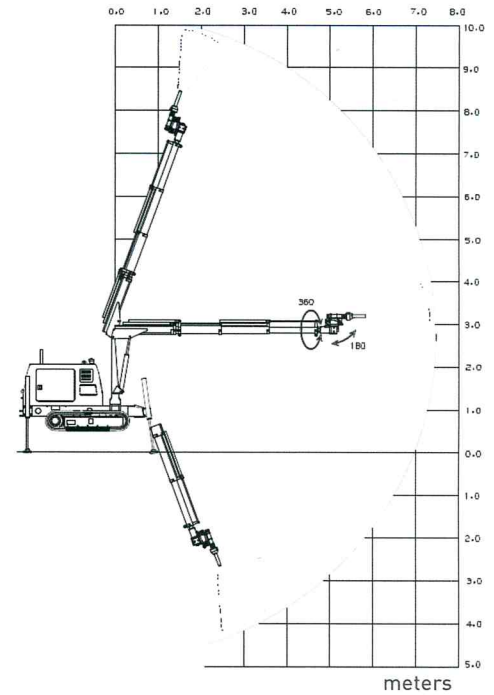
CE

Fields of application

Whenever demands on automating the shotcrete process are encountered, the SBS shotcrete manipulator system CL 08 is a sophisticated solution for use within narrow site conditions. Applicable for the wet or dry spraying process the shotcrete manipulator system relieves the spraying personnel and increases productivity and working safety.

Description

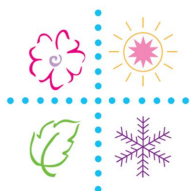
The expertly-engineered SBS shotcrete manipulator system has been developed to incorporate a broad boom reach with high structural safety. An inclinometer based monitoring system as well as 4 earth-pressure monitored outriggers ensure the highest stability against overturning. Both crawler tracks can be blocked by a hydraulic acting fixed brake. The integrated dual power sources allow for either Diesel or electric drive. All movements of the boom and the crawler tracks can be controlled by the standard radio remote control. A hydraulically extendable boom as well as the three-way nozzle actuator allows for extremely versatile shotcrete spraying.



Technical data

Spraying range	
Max. spraying height incl. nozzle distance	9 m / 29.5 ft
Max. spraying width incl. nozzle distance	12 m / 45.9 ft
Concrete support by pipes and hoses with diameter	DN 40 – 65 mm / 1.5 up to 2.6 inch
Power sources	
Air cooled Hatz Diesel engine type 2L41C	19 kW / 24 hp at 2,000 rpm
Electric motor	15 kW / 20 hp ; 400 V / 50 Hz ; IP55
Control voltage	24 V DC
Diesel tank capacity	35 liters / 9.2 gal
Hydraulic oil tank capacity	100 liters / 26 gal
Hydraulic oil circuit Diesel drive	Load sensing system,
Hydraulic oil circuit electric drive	max. pressure 250 bar / 3.625 psi
Transport dimensions	
Length	app. 3,700 mm / 145 inch
Width	app. 1,960 mm / 78 inch
Height	app. 2,500 mm / 99 inch
Weight	app. 3,000 kg / 6,600 lb

Subject to technical alterations | as of March 2016



ACE CENTRO ENTERPRISES

P. O. Box 95325
Abu Dhabi -U.A.E.
T : +971 2 6737900
F : +971 2 6737800
E : info@acecentro.com
W : www.acecentro.com

