

DRH400

DRAGFLOW

ULTIMATE EFFICIENCY



DRH400 is a dredge with still steel cable and it can be equipped with DRAGFLOW pumps **HY400** and **HY400 HC**.

This dredge is flexible: it can work everywhere and in any condition, thanks to its **heavy duty robust design**.

The **basic functions** are mining, dredging, sand extraction, industry.

MAIN FEATURES

- ➔ Only one operator is needed to control the entire dredger from the **ergonomic operator cabin**.
- ➔ Combines a **working depth up to 250 m** with **small overall dimensions and draft**.
- ➔ Assembly operation takes as short as 6-8 hours. **It can be mounted in any environment and has limited mobilization costs.**

THE DREDGE

Hydraulic Power Pack

- Sound proof canopy
- IVECO, VOLVO or CAT diesel engine
- Closed and open hydraulic circuit
- REXROTH-BOSCH or SAUBER oil pump

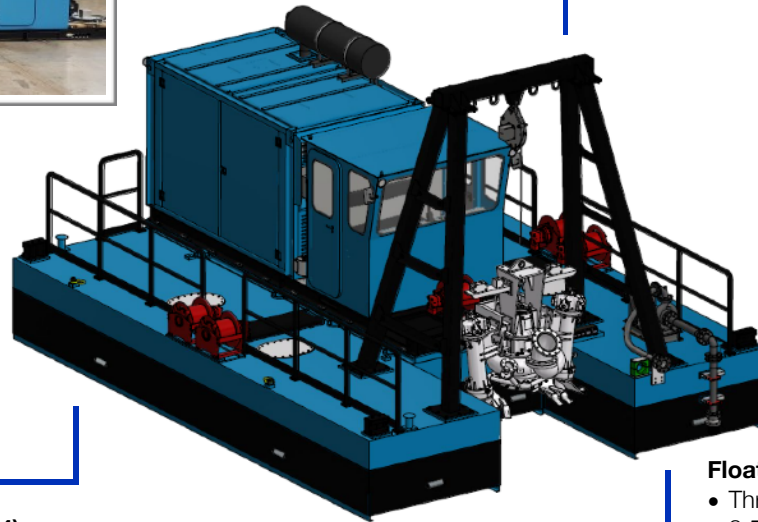
Operator Cabin

- Complete control panel
- Heating and air conditioned
- Ergonomic seat
- Safety equipment
- Emergency stop controls



Hydraulic Hoist

- Precisely moves pump up and down
- Depth measuring pulley



Winches (x4)

- For moving the dredge
- Steel cables
- Optional propeller

Floater

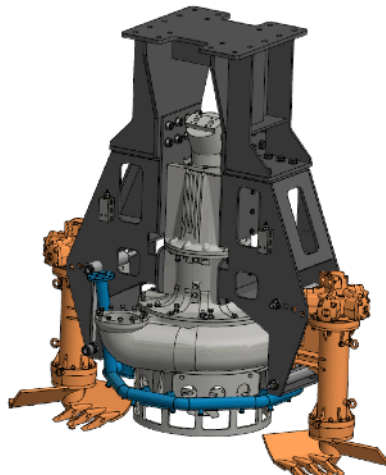
- Three pontoons
8,5x1,8mx1,25m
- Small draft

Our dredge **DRH400** can be equipped with different dredging tools, such as excavators and jet ring. Here you can find the main features of these equipments.

ACCESSORIES

Excavators

- Engine displacement: 1200cc
- Repleceable teeth
- Radial piston hydraulic motor
- Oil requirement: 60 l/min each
- Weight: 600 kg
- Speed: 50 r.p.m.
- Torque: 450 kgm
- Rotates in both directions



Jet ring system

- Water capacity: 60-200 m³/h
- Pressure: 6 bar - 7 bar
- Drive: Horizontal high pressure pump

SET UP



HY400

ONE DREDGE FOR MANY PURPOSES

Have you ever thought that, **with only one dredge, you could do different jobs?**

Our **DRH400** can be equipped with two different hydraulic pumps: **HY400** (long distance) and **HY400HC** (high capacity).

With the **HY400**, you can work with a very long delivery distance, up to 1500 m.

On the other hand, with **HY400HC** you can count on **high capacity for increased solid production**, up to 1500m³/h.

One dredge, many purposes, but always with the **DRAGFLOW trademark**: efficiency and toughness!

HY400HC

LONG DISTANCE

Max capacity: 1500 m³/h
Max head: 57 m
Discharge diameter (DN): 300-350
Max solid handling: 120
Delivery distance: up to 1500 m

HYDRAULIC MOTOR

Motor displacement [cc - (cu in)] 710 - (43.3)
Max. oil flow rate[l/min - (USGPM)] 605 - (160)
Max. pressure [bar - (psi)] 300 -(4350)
Power [kW-HP] 300-405

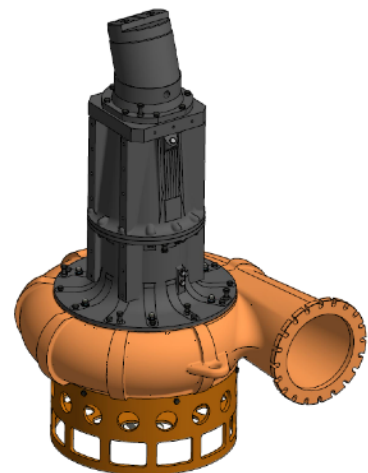
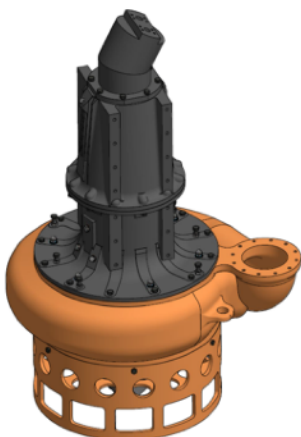
Max capacity: 3000 m³/h
Max head: 57 m
Discharge diameter (DN): 500-550
Max solid handling: 120
Delivery distance: up to 2000 m

HYDRAULIC MOTOR

Motor displacement [cc - (cu in)] 710 - (43.3)
Max. oil flow rate[l/min - (USGPM)] 605 - (160)
Max. pressure [bar - (psi)] 300 -(4350)
Power [kW-HP] 300-405

MATERIALS

Casing Spheroidal cast iron EN-GJS-500-7 (EN 1563)
Motor housing Cast iron EN-GJL-250 (EN 1561)
Wear parts High chrome EN-GJN-HV600 (XCr18) (EN 12513)
Main shaft High tensile steel 39NiCrMo3 (AISI 9840)



HIGH CAPACITY

HULL MAIN FEATURES

Overall dimensions	<i>Length</i>	11,5 m (37 ft. 8 in.)
	<i>Width</i>	8 m (26 ft 3 in.)
	<i>Height</i>	7,5 m (21 ft 4 in)
Weight	45 ton	
Draft	80-90 cm	

MODULAR DESIGN

Dimensions	Two (2) pontoons 11,5 m x 1,8 m x 1,8 m. With central floater.
Fuel tank	In built - 10 000 l capacity

DREDGE ENGINE

Type	CAT, VOLVO or IVECO Diesel engine (470kW/630HP)
Consumption	250 gr/kW/h

Power packs can also be based on Electric motors

TRANSPORTATION - ASSEMBLY

Transportable in four containers 40'
Assembly operations takes as short as 6-8 hours

PROPULSION

Primary System

Four (4) 50 m steel winches (available up to 211 m)

Secondary System

Helix propeller (optional)

WORKING CAPACITY

HY400 - LONG DISTANCE

CAPACITY [m³/h (gpm)] 420 (1849) - 980 (4314)

HEAD [m (ft)] 54 (177) - 45 (147)

DISCHARGE DIAMETER DN300

MAX SOLID HANDLING 120mm

HY400HC - HIGH CAPACITY

CAPACITY [m³/h (gpm)] 800 (3522) - 2200 (9686)

HEAD [m (ft)] 37,5 (123) - 23 (76)

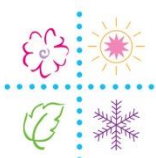
DISCHARGE DIAMETER DN450

MAX SOLID HANDLING 120mm

CERTIFICATIONS



EQUIPMENT	STANDARD	FULL OPTIONAL	HIGH DEPTH
Winches for moving	X	X	X
Hydraulic Hoist	X	X	X
Operator Cabin	X	X	X
Control Panel	X	X	X
Digital Depth Gauge	X	X	X
Dredge GPS System		X	X
Helix Propeller		X	X
Umbilical Hose		X	X
Sound Proof Canopy		X	X
Spring driven spooler (up to 15 m)		X	
Hydraulic Spooler (up to 300 m)			X
Pressure compensator			X



ACE CENTRO ENTERPRISES

P. O. Box 95325, Abu Dhabi - U.A.E.

T : +971 2 6737900

F : +971 2 6737800

E : salesteam@acecentro.com

W : www.acecentro.com

