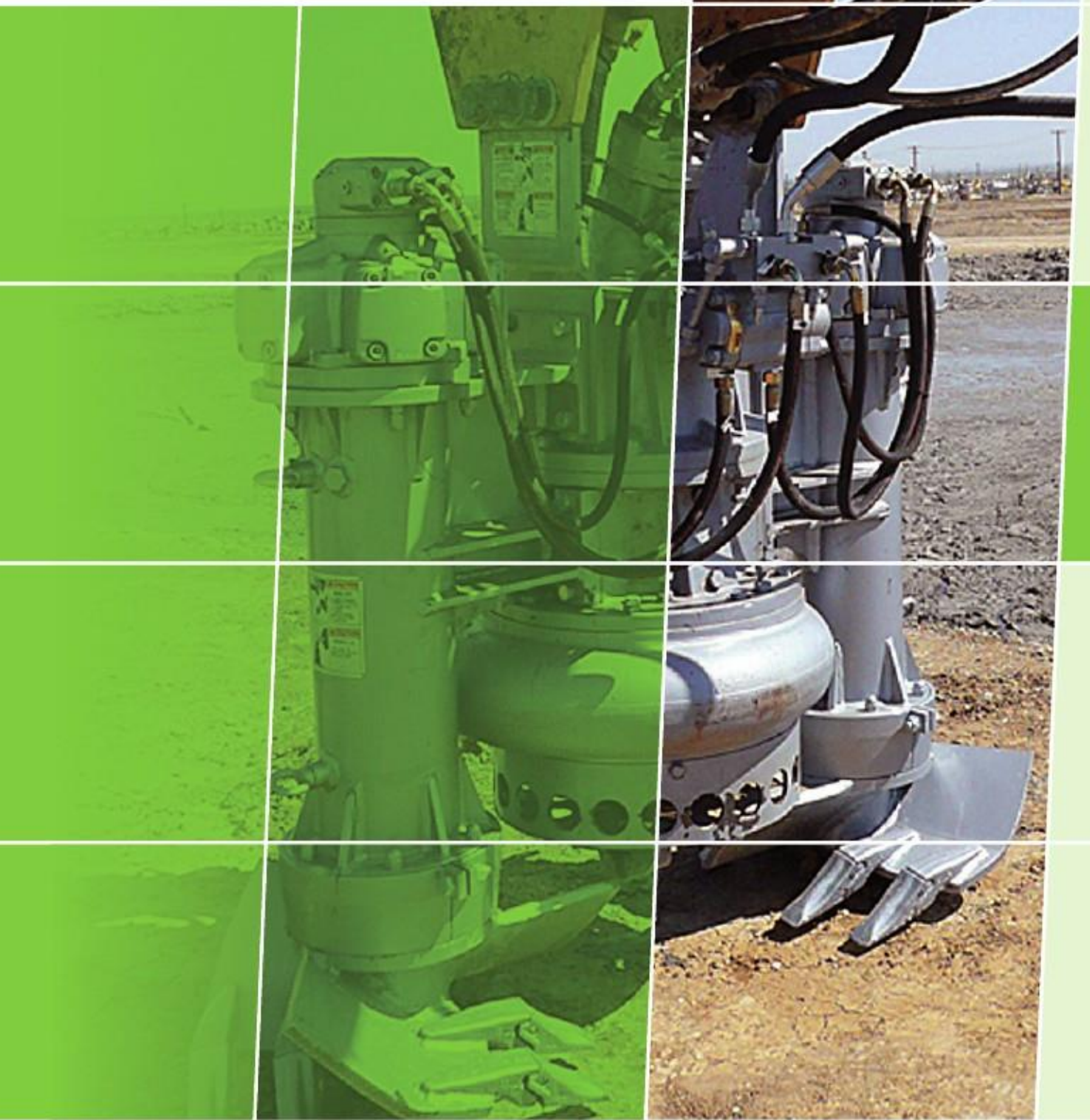


Hydraulic excavators



DRAGFLOW

Hydraulic excavators

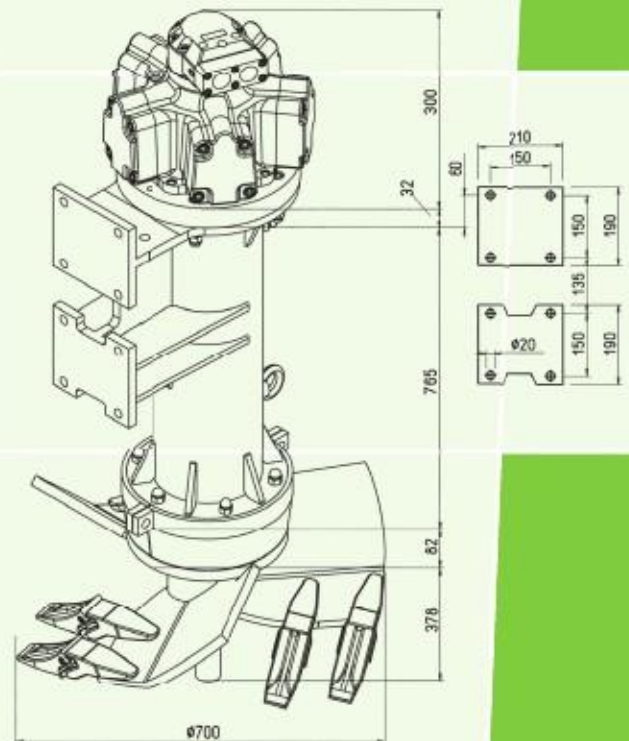
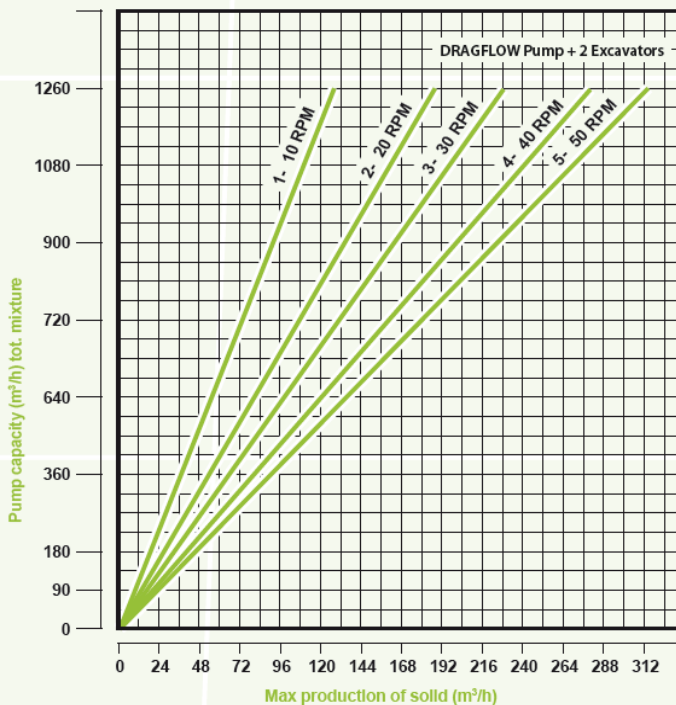
EXHY 20

TECHNICAL SPECIFICATIONS

Hydraulic motor	Radial piston
R.P.M.	30 / 40 / 50
Power (cont. operation) (HP)	11 / 15 / 18
Power (inter. operation) (HP)	13 / 18 / 22
Capacity (l/min)	22 / 29 / 36
Pressure (cont. operation) (bar)	250
Pressure (inter. operation) (bar)	300
Torque (cont. operation) (kgm)	260 / 261 / 262
Torque (inter. operation) (kgm)	311 / 313 / 314
Oil specifications	Viscosity 33 mm/s (4.5 °E)
Fixture IN/OUT (BSP)	1 1/4"
Drainage (BSP)	3/8"
Weight (kg)	500



PERFORMANCE CURVE



- High capacity
- Soft material

- Hard and Compact
material

- General Purpose

DRAGFLOW

P. O. Box 95325, M-03/M-04 Art Beat Building,
Off Al Dhafra Street, Muroor Road, Abu Dhabi - U.A.E.

+971 2 6737900 sales@accentro.com

Hydraulic excavators

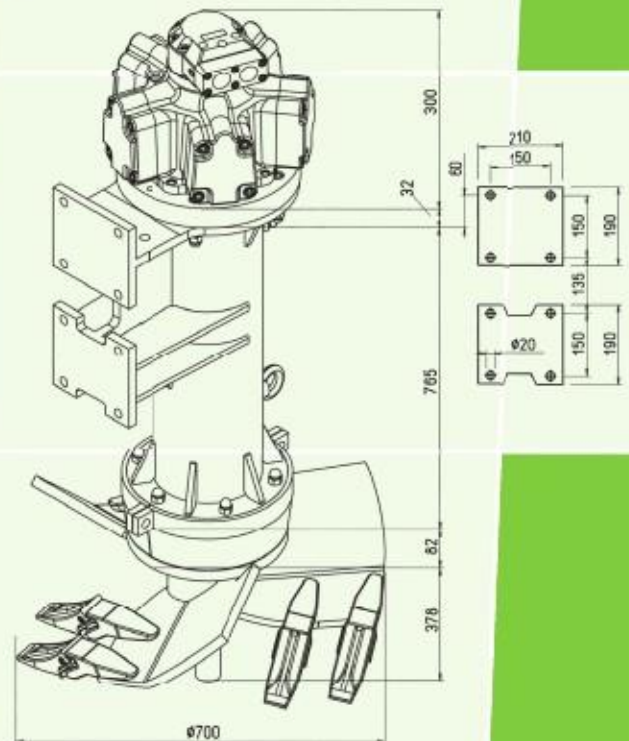
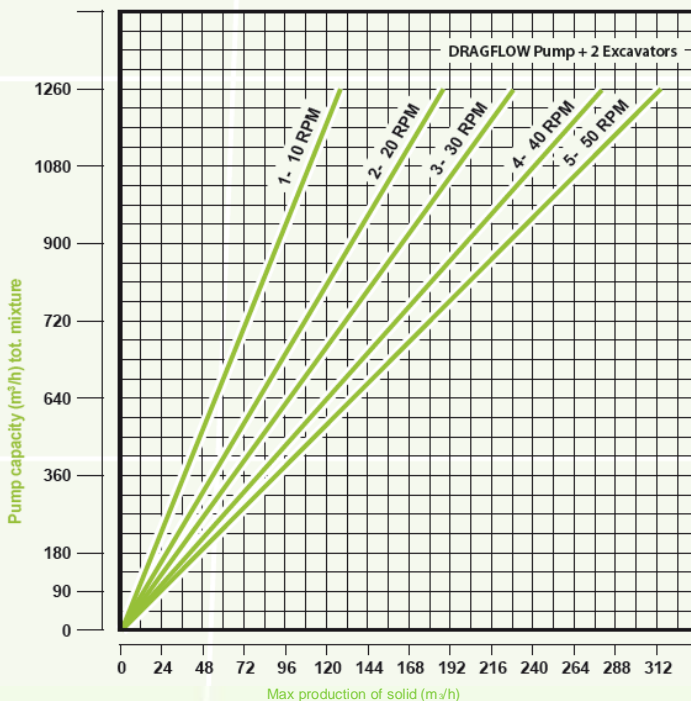
EXHY 20 S

TECHNICAL SPECIFICATIONS

Hydraulic motor	Radial piston
R.P.M.	30 / 40 / 50
Power (cont. operation) (HP)	18 / 24 / 30
Power (inter. operation) (HP)	21 / 28 / 36
Capacity (l/min)	35 / 46 / 58
Pressure (cont. operation) (bar)	250
Pressure (inter. operation) (bar)	350
Torque (cont. operation) (kgm)	418 / 420 / 423
Torque (inter. operation) (kgm)	501 / 504 / 507
Oil specifications	Viscosity 33 mm/s (4.5 °E)
Fixture IN/OUT (BSP)	1 1/4"
Drainage (BSP)	3/8"
Weight (kg)	550



PERFORMANCE CURVE



- High capacity
- Soft material

- Hard and Compact material

- General Purpose

DRAGFLOW

P. O. Box 95325, M-03/M-04 Art Beat Building,
Off Al Dhafra Street, Muroor Road, Abu Dhabi - U.A.E.

+971 2 6737900 sales@acecentro.com

Hydraulic excavators

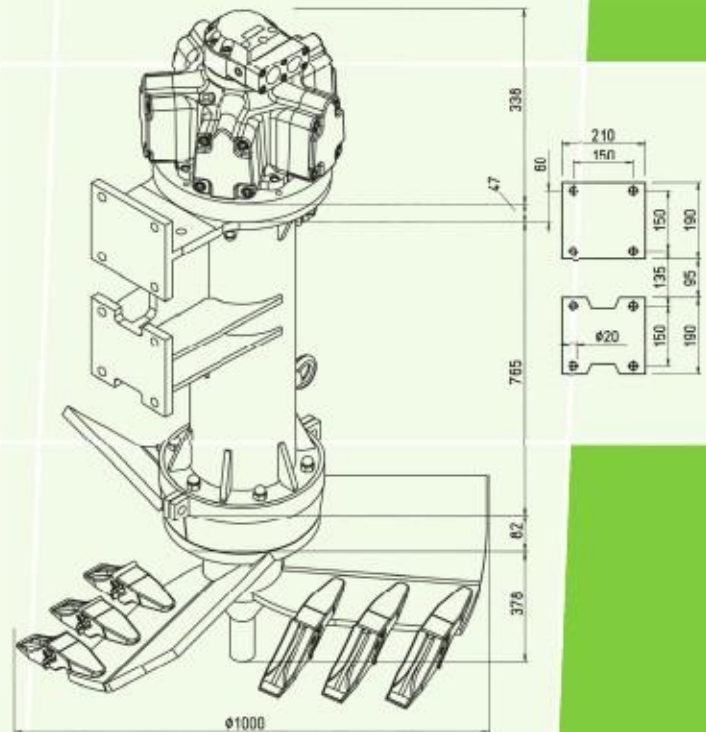
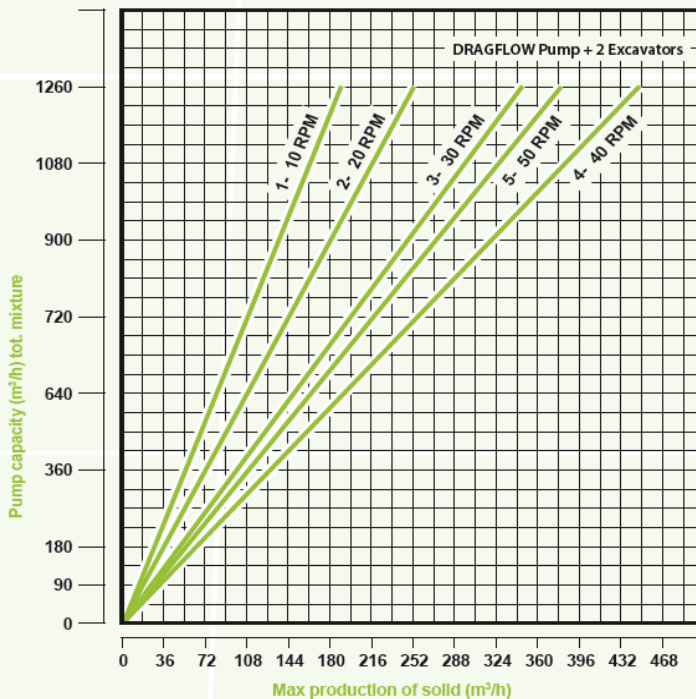
EXHY 35

TECHNICAL SPECIFICATIONS

Hydraulic motor	Radial piston
R.P.M.	30 / 40 / 50
Power (cont. operation) (HP)	18 / 24 / 30
Power (inter. operation) (HP)	21 / 28 / 36
Capacity (l/min)	35 / 46 / 58
Pressure (cont. operation) (bar)	250
Pressure (inter. operation) (bar)	350
Torque (cont. operation) (kgm)	418 / 420 / 423
Torque (inter. operation) (kgm)	501 / 504 / 507
Oil specifications	Viscosity 33 mm/s (4.5 °E)
Fixture IN/OUT (BSP)	G 1 1/2"
Drainage (BSP)	G 1/2"
Weight (kg)	550



PERFORMANCE CURVE



- High capacity
- Soft material

- Hard and Compact
material

- General Purpose

DRAGFLOW

P. O. Box 95325, M-03/M-04 Art Beat Building,
Off Al Dhafra Street, Muroor Road, Abu Dhabi - U.A.E.

+971 2 6737900 sales@accentro.com