



## Electric pump EL60 RI

Available with Chopper and Agitator

### PUMP SPECIFICATIONS

Capacity [m <sup>3</sup> /h - (USGPM)]	100 - (440)
Head [m - (ft)]	24 - (79)
Impeller diameter [mm - (in)]/type	318 - (12.7)/3 blades closed
Flanged bore size [DN.../PN... - (in)]	DN150/PN10 - (6)
Cross section diameter [mm - (in)]	100 - (4)
Weight (without cable) [kg - (lbs)]	815 - (1796)

### ELECTRIC MOTOR

Power [kW-HP]	44-60
Voltage [V]/Current [A]	460/68
Phases/Poles/Frequency [Hz]	3/4/60
Speed [RPM]	1750
Insulation class	H
Power cable 20m (IEC 60245- 4)	H07RN-F 4G35

### MATERIALS

Casing	Spheroidal cast iron EN-GJS-500-7 (EN 1563)
Motor housing	Cast iron EN-GJL-250 (EN 1561)
Wear parts	High chrome EN-GJN-HV600 (XCr18) (EN 12513)
Main shaft	High tensile steel 39NiCrMo3 (AISI 9840)

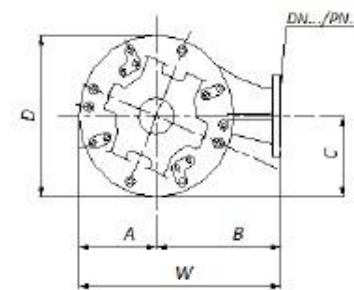
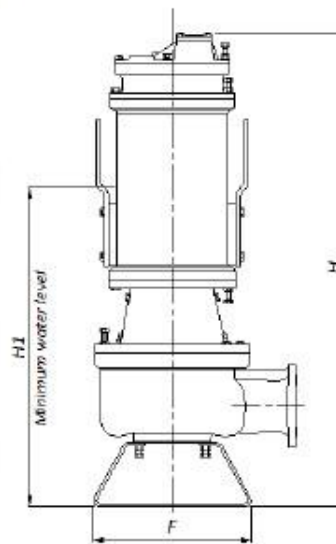
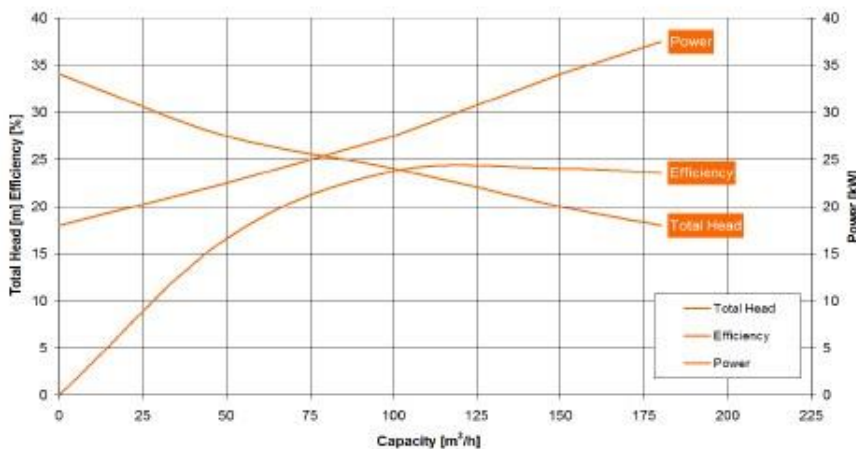
### SEALS / LUBRICANT

Motor side seals	2 lip seals (BUNA)
Impeller side seals	5 lip seals (3 BUNA + 2 PTFE) + 1 V-RING (TPU)
Oil type	ISO 320

### DIMENSIONS [mm]

H	W	D	F	H1	A	B	C
1640	730	562	570	1080	280	450	280

### PERFORMANCE CURVES





## Electric pump EL60 RI

Available with Chopper and Agitator

### PUMP SPECIFICATIONS

Capacity [m <sup>3</sup> /h]	100
Head [m]	24
Impeller diameter [mm]/type	356/3 blades closed
Flanged bore size [DN.../PN...]	DN150/PN10
Cross section diameter [mm]	100
Weight (without cable) [kg]	815

### ELECTRIC MOTOR

Power [kW-HP]	44-60
Voltage [V]/Current [A]	400/78
Phases/Poles/Frequency [Hz]	3/4/50
Speed [RPM]	1450
Insulation class	H
Power cable 20m (IEC 60245- 4)	H07RN-F 4G35

### MATERIALS

<b>Casing</b>	Spheroidal cast iron EN-GJS-500-7 (EN 1563)
<b>Motor housing</b>	Cast iron EN-GJL-250 (EN 1561)
<b>Wear parts</b>	High chrome EN-GJN-HV600 (XCr18) (EN 12513)
<b>Main shaft</b>	High tensile steel 39NiCrMo3 (AISI 9840)

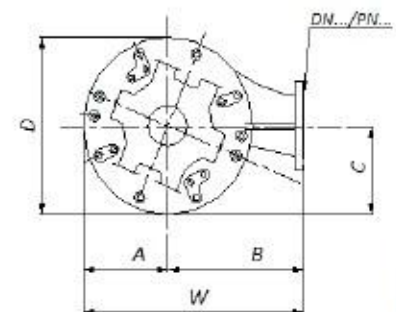
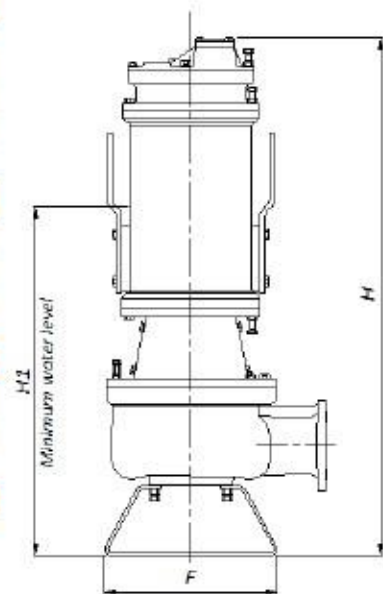
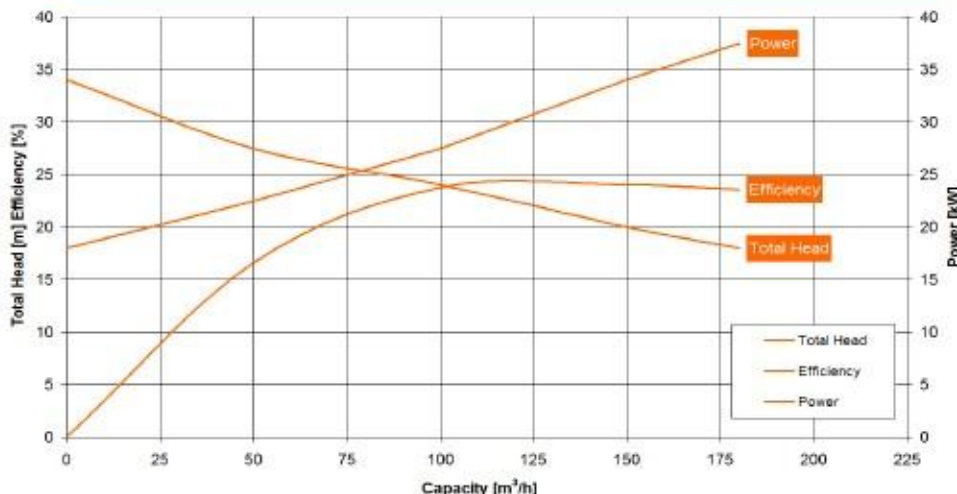
### SEALS / LUBRICANT

<b>Motor side seals</b>	2 lip seals (BUNA)
<b>Impeller side seals</b>	5 lip seals (3 BUNA + 2 PTFE) + 1 V-RING (TPU)
<b>Oil type</b>	ISO 320

### DIMENSIONS [mm]

H	W	D	F	H1	A	B	C
1640	730	562	570	1080	280	450	280

### PERFORMANCE CURVES



## AVOID THE RISK OF CLOGGING, USE DRAGFLOW CHOPPER

Protect your pump from clogging. Use the new **DRAGFLOW Chopper** to increase the efficiency of the **No Clog recessed impeller Pump (EL 60 RI)**.



The Chopper has been specifically designed for use with our upcoming **RI series**, the Recessed Impeller, series of pumps which are a high - efficiency, non-clog design suitable for passing stringy or fibrous material create to effectively chop material before pumping it.

The two blades are made of hardened steel with excellent toughness and wear resistance. Cutting action does not rely on the pump impeller. Impeller is completely recessed and separate which eliminates possible clogging or binding.

**DRAGEFLOW** Chopper can also be used with the **DRAGEFLOW** Agitator



Any application with stringy, fibrous material that needs to be reduced in size is a good chance to use the No clog pump with chopper. Some examples would include pulp and paper, recycling plants, waste water handling and municipal applications.